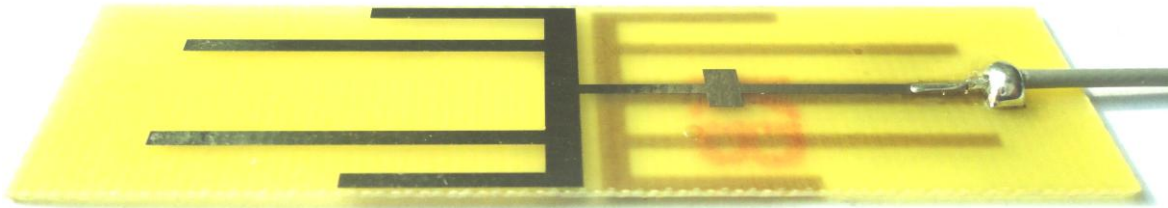




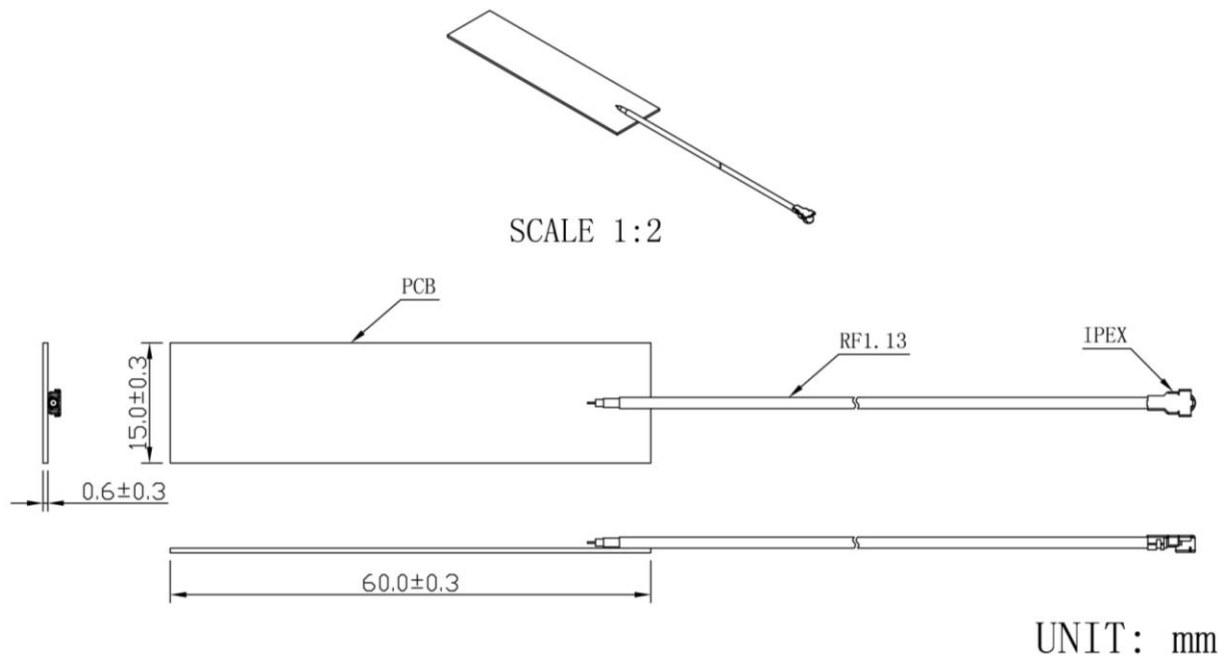
TOP ELECTRONIC INDUSTRY CO., LTD.
www.topecind.com / www.top-elecomponents.com

WIFI Internal Antenna

TOP-WIFI08-1



DIMENSIONS



TOP ELECTRONIC INDUSTRY CO.,LTD
Rm201 40th Bldg,Nanhua Zone,Huaqianganan,Futian Dist,SZ,GD,China
Tel:+86-755-8281 5110
Fax:+86-755-8281 5220
Web: www.topecind.com



TOP ELECTRONIC INDUSTRY CO., LTD.

www.topecind.com / www.top-elecomponents.com

SPECIFICATIONS

Item	Specifications	
Antenna	Frequency Range	2400~2483.5MHz/4900~5825MHz
	Polarization	Linear
	Gain	3dBi
	V.S.W.R	<2.0
	Impedance	50Ω
	PCB Dimension	60*15*0.6mm
Mechanical	Cable	RF1.13/RF1.37 or others
	Connector	IPEX
	Mounting Method	Adhesive
Environmental	Operating Temperature	-40°C~+85°C
	Vibration	10 to 55Hz with 1.5mm amplitude 2hours
	Environmentally Friendly	ROHS Compliant

TOP ELECTRONIC INDUSTRY CO.,LTD

Rm201 40th Bldg,Nanhua Zone,Huaqianganan,Futian Dist,SZ,GD,China

Tel:+86-755-8281 5110

Fax:+86-755-8281 5220

Web: www.topecind.com